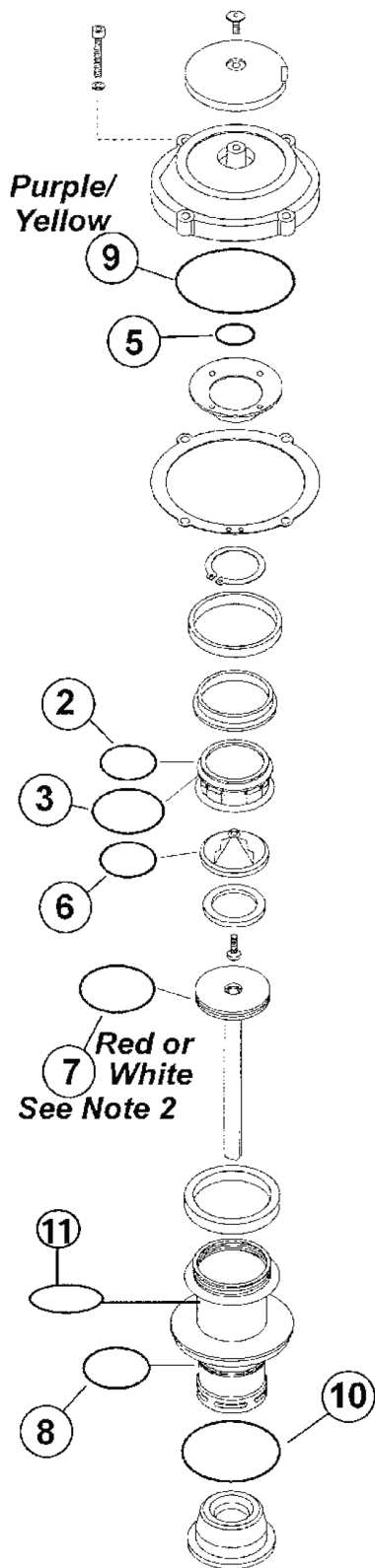


RELIABILITY™

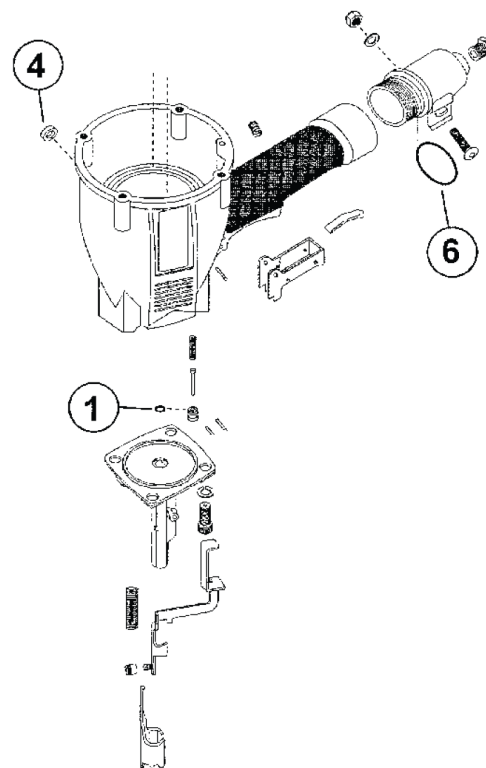
Provin



Contents of O-Ring Kit KT-PA-350					Equivalent Paslode® Part Number
Key Number	Quantity	Reliability Provin Number			
		Part Number	Color Codes	Notes	
1	1	OR-PP-150			092174
2	1	OR-PP-188			091208
3	1	OR-PP-190			401950
4	1	RE-WA-003			402668
5	1	OR-PP-372			092402
6	2	OR-PP-382			095432
7	1	OR-PP-576	Red	Note 2	092971
	1	OR-PP-869	White		092971 (oversize)
8	1	OR-PP-582			092235
9	1	OR-PP-2087	Purple/Yellow		500461
10	1	OR-PP-604			501002
11	1	OR-PP-584		Note 3	500249

Note 2. O-Ring OR-PP-869 (color code white) is provided as a substitute for the standard o-ring OR-PP-576 (color code red). O-Ring OR-PP-869 is slightly larger in inside diameter and should be used in situations where the piston will not normally rest or remain at the top of the sleeve. Tools with this piston positioning defect will likely exhibit low energy single or first cycle operations.

Note 3. O-Ring OR-PP-584 is not required on some older tools with an integral cylinder flange. Newer tools have a plastic flange that requires this o-ring.



*Generously grease all O-rings at time of assembly

Note: Read and understand the safety information printed on the reverse side before repairing any tools.
 Nota: Lea y comprende la información de seguridad impresa al reverso antes de reparar cualquier herramienta.

3/23/2012

Exploded View and O-ring List for
 PASLODE F350S Powermaster Plus

VL-PA-350

CAUTION**CAUTION****CAUTION**

ALWAYS WEAR SAFETY GLASSES WITH SIDE SHIELDS WHEN USING PNEUMATICALLY OPERATED FASTENER DRIVING TOOLS

NEVER POINT THE TOOL AT YOURSELF OR ANYONE ELSE

NEVER BYPASS OR REMOVE ANY SAFETY DEVICE

ALWAYS FOLLOW THE ORIGINAL MANUFACTURE'S SAFETY AND SERVICE INSTRUCTION

NEVER ATTEMPT TO SERVICE OR REPAIR A PNEUMATICALLY OPERATED TOOL WITH THE COMPRESSES AIR LINE CONNECTED TO THE TOOL

NEVER LEAVE A PNEUMATICALLY OPERATED TOOL UNATTENDED WITH THE COMPRESSES AIR LINE CONNECTED

ALWAYS FOLLOW THE ORIGINAL TOOLS MANUFACTURE'S DISASSEMBLY, ASSEMBLY, AND TOOL INSPECTION PROCEDURES

PRECAUTION**PRECAUTION****PRECAUTION**

SIEMPRE USE LENTES DE SEGURIDAD CON PROTECTORES LATERALES AL USAR HERRAMIENTAS DE IMPULSO CON SUJETADOR DE OPERACIÓN NEUMÁTICA

NUNCA APUNTE A SI MISMO O A OTRA PERSONA CON LA HERRAMIENTA

NUNCA EVITE O RETIRE ALGÚN DISPOSITIVO DE SEGURIDAD

SIEMPRE SIGA LAS INSTRUCCIONES DE SEGURIDAD Y SERVICIO DEL FABRICANTE ORIGINAL DE LA HERRAMIENTA

NUNCA INTENTE HACER MANTENIMIENTO O REPARAR UNA HERRAMIENTA DE OPERACIÓN NEUMÁTICA CON LA LINEA DE AIRE COMPRIMIDO CONECTADA A LA HERRAMIENTA

NUNCA DEJE SIN ATENCION UNA HERRAMIENTA DE OPERACIÓN NEUMÁTICA CON LA LINEA DE AIRE COMPRIMIDO CONECTADA

SIEMPRE SIGE LOS PROCEDIMIENTOS DE DESMONTAJE, MONTAJE, E INSPECCIÓN DEL FABRICANTE ORIGINAL DE LA HERRAMIENTA

O-Ring Kit

KT-PA-350

For use on the following tool models.
Kit contains all O-Rings in these tools.

PASLODE

F350S



7 12218 00161 7