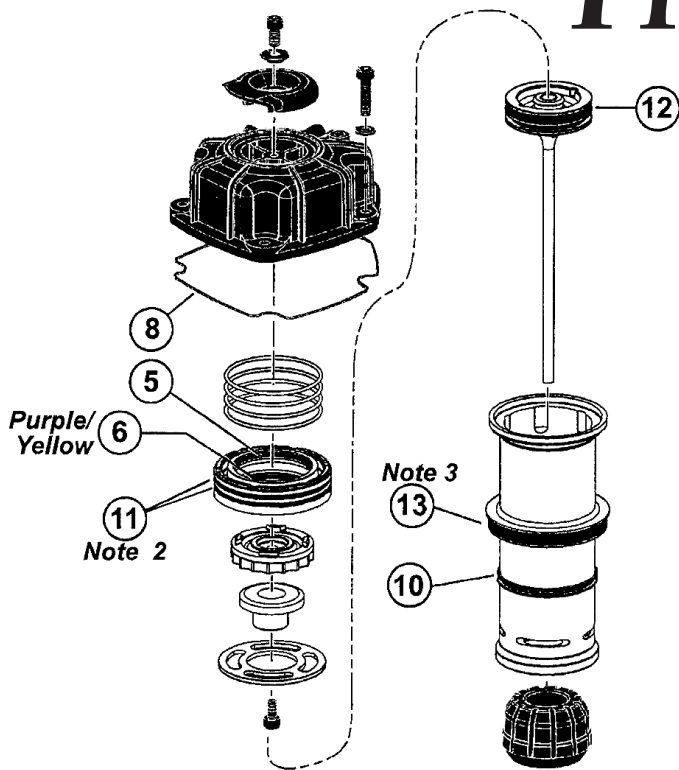
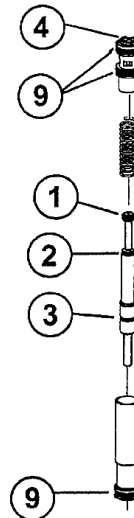


# RELIABILITY™

## Provin

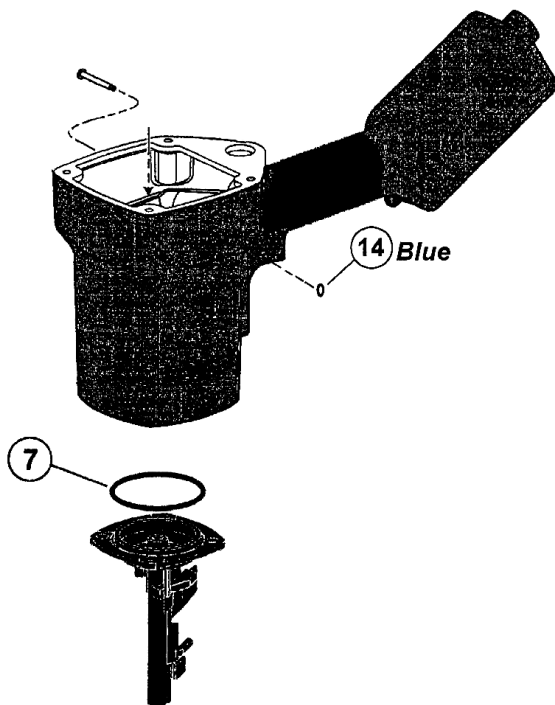


### Trigger Valve



### Contents of O-Ring Kit KT-SE-650

Key Number	Quantity	Performance Provin, Inc.		Equivalent Senco® Part Number
		Part Number	Color Code	
1	1	OR-PP-138U		LB0844
2	1	OR-PP-140U		LB0847
3	1	OR-PP-144U		LB0846
4	1	OR-PP-150		LB0018
5	1	OR-PP-188		LB0768
6	1	OR-PP-190B	Purple / Yellow	LB0038
7	1	OR-PP-198		LB0042
8	1	OR-PP-220		AC0141
9	3	OR-PP-346		LB0057
10	1	OR-PP-404		LB0086
11	2	OR-PP-418U		Note 2 LB0093 LB3505
12	1	OR-PP-574U		LB0850
13	1	OR-PP-586Q		Note 3 LB0886
14	1	OR-PP-132B	Blue	KC0062



**Note 2:** Early issue tools used one O-Ring on the head valve outside diameter.

**Note 3:** Early issue tools used an O-Ring to seal the sleeve to the tool housing. The Quad Ring (OR-PP-586Q) in this kit should be used as a seal in this location.

\*Generously grease all O-rings at time of assembly

Note: Read and understand the safety information printed on the reverse side before repairing any tools.  
Nota: Lea y comprende la información de seguridad impresa al reverso antes de reparar cualquier herramienta.

6/30/2005

Exploded View and O-ring List for  
SENCO FRAMEPRO 600 & FRAMEPRO 650

VL-SE-42

**CAUTION****CAUTION****CAUTION**

ALWAYS WEAR SAFETY GLASSES WITH SIDE SHIELDS WHEN USING PNEUMATICALLY OPERATED FASTENER DRIVING TOOLS

NEVER POINT THE TOOL AT YOURSELF OR ANYONE ELSE

NEVER BYPASS OR REMOVE ANY SAFETY DEVICE

ALWAYS FOLLOW THE ORIGINAL MANUFACTURE'S SAFETY AND SERVICE INSTRUCTION

NEVER ATTEMPT TO SERVICE OR REPAIR A PNEUMATICALLY OPERATED TOOL WITH THE COMPRESSES AIR LINE CONNECTED TO THE TOOL

NEVER LEAVE A PNEUMATICALLY OPERATED TOOL UNATTENDED WITH THE COMPRESSES AIR LINE CONNECTED

ALWAYS FOLLOW THE ORIGINAL TOOLS MANUFACTURE'S DISASSEMBLY, ASSEMBLY, AND TOOL INSPECTION PROCEDURES

**PRECAUTION****PRECAUTION****PRECAUTION**

SIEMPRE USE LENTES DE SEGURIDAD CON PROTECTORES LATERALES AL USAR HERRAMIENTAS DE IMPULSO CON SUJETADOR DE OPERACIÓN NEUMÁTICA

NUNCA APUNTE A SI MISMO O A OTRA PERSONA CON LA HERRAMIENTA

NUNCA EVITE O RETIRE ALGÚN DISPOSITIVO DE SEGURIDAD

SIEMPRE SIGA LAS INSTRUCCIONES DE SEGURIDAD Y SERVICIO DEL FABRICANTE ORIGINAL DE LA HERRAMIENTA

NUNCA INTENTE HACER MANTENIMIENTO O REPARAR UNA HERRAMIENTA DE OPERACIÓN NEUMÁTICA CON LA LINEA DE AIRE COMPRIMIDO CONECTADA A LA HERRAMIENTA

NUNCA DEJE SIN ATENCIÓN UNA HERRAMIENTA DE OPERACIÓN NEUMÁTICA CON LA LINEA DE AIRE COMPRIMIDO CONECTADA

SIEMPRE SIGA LOS PROCEDIMIENTOS DE DESMONTAJE, MONTAJE, E INSPECCIÓN DEL FABRICANTE ORIGINAL DE LA HERRAMIENTA

## O-Ring Kit

# KT-SE-650

For use on the following tool models.  
Kit contains all O-Rings in these tools.

SENCO

FRAMEPRO 600

FRAMEPRO 650

